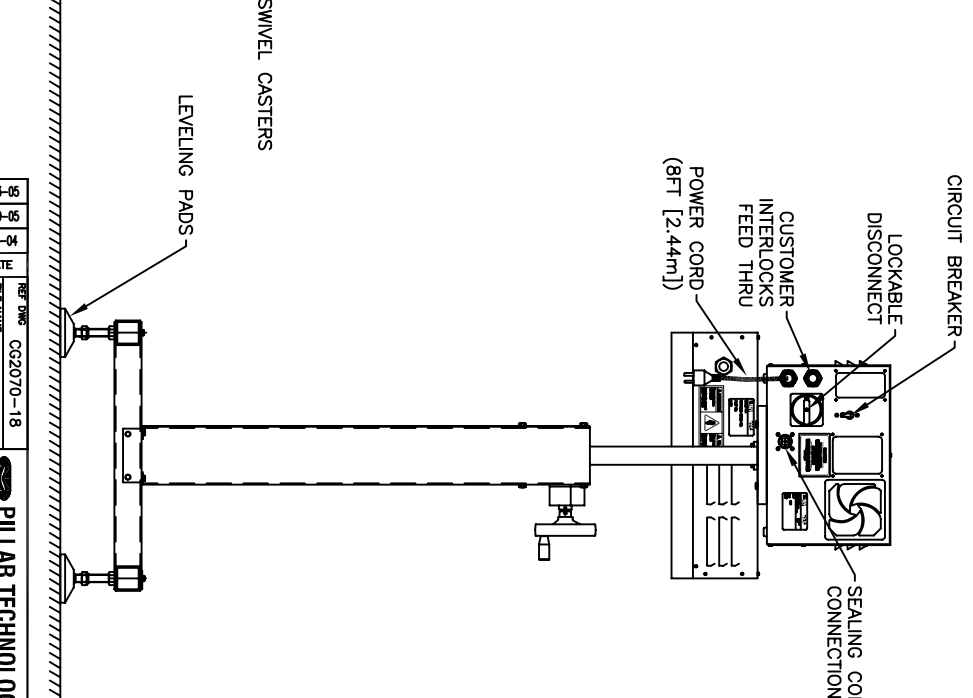
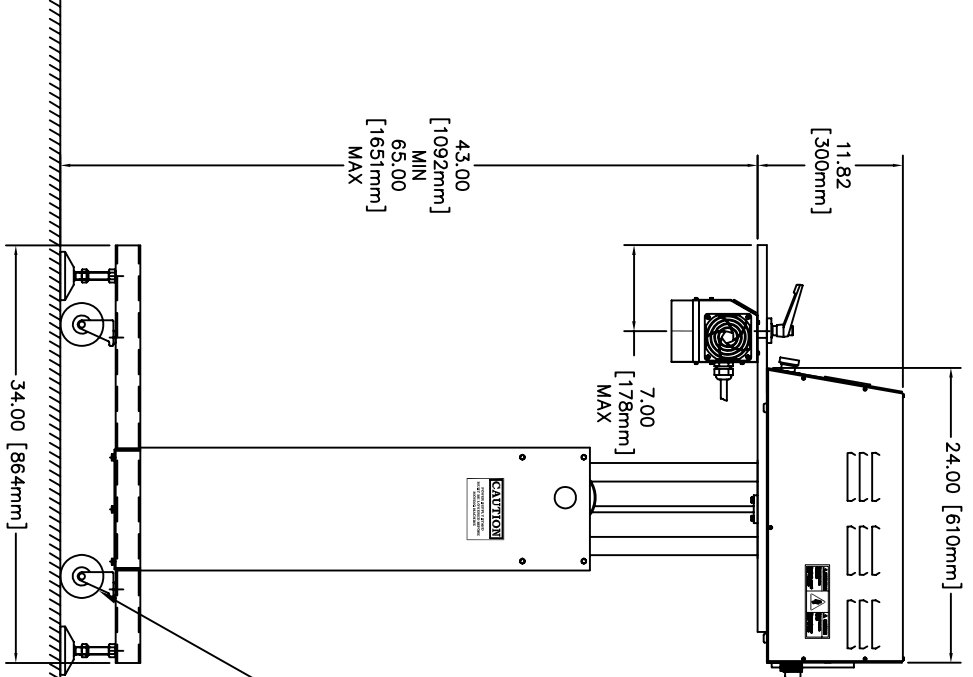
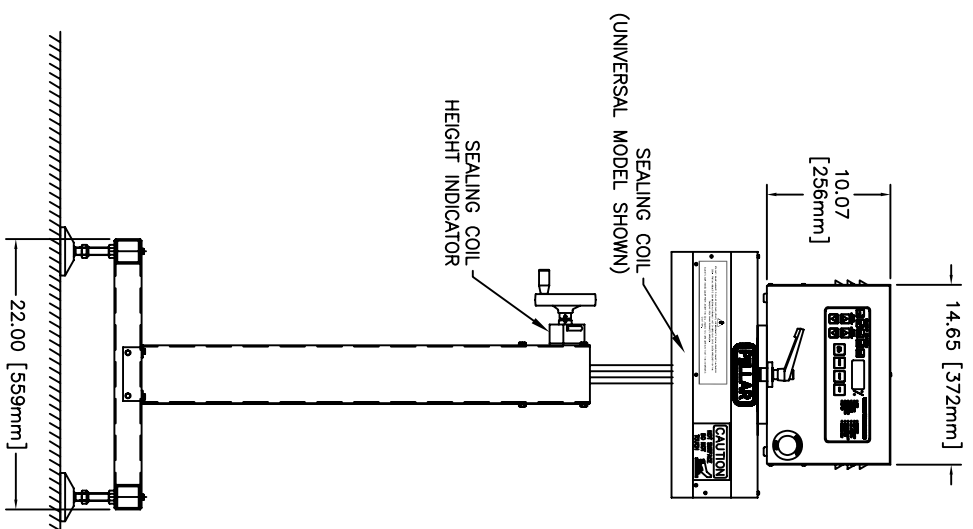


- POWER SUPPLY SPECIFICATIONS:**
1. INPUT VOLTAGE : 120VAC ±10% DR 240VAC ±10%; SINGLE PHASE 50/60 HZ
 2. 40° C MAXIMUM AMBIENT TEMPERATURE
 3. 6" [154mm] CLEARANCE TO BE KEPT ON SIDES AND BACK FOR COOLING
 4. NEMA 1 CORROSION RESISTANT
 5. SEE THE SEALING COIL OUTLINE DRAWING #BG2070-12 DETAILS
 6. STAND AND COIL MADE OF STAINLESS STEEL, ANODIZED ALUMINUM, AND PLASTIC



43.00 [1092mm]
MIN
65.00 [1651mm]
MAX

7.00 [178mm]
MAX

REV	DESCRIPTION	APP'D	DATE	REF	TIME
C	ADDED METRIC DIMENSIONS	EJU	11-3-05	CG2070-18	
B	ADDED COIL HEIGHT INDICATOR	RAK	1-19-05		
A	ADDED PLAN VIEW	RAK	3-4-04		
REV	DESCRIPTION	APP'D	DATE	FILE NAME	
	DESIGNER	ENGINEER	DATE	2070-20	
	CHECKER	DATE	8-29-03	CG2070-18	
	DATE	8-29-03			
	SCALE	1 : 1			
	FINISH				
	SPCC				
<p>PILLAR TECHNOLOGIES A Division of Wilson Foods Systems, Inc. Hartford, Wisconsin 53029</p> <p>OUTLINE DRAWING UNIFOILER 1KW-U</p> <p>DWG NO: CG2070-20 REV: C</p> <p>SCALE: 1 : 1 SHEET 1 OF 1</p>					

THIS PRINT IS THE PROPERTY OF PILLAR TECHNOLOGIES AND IS LOANED TO THE RECIPIENT SUBJECT TO RETURN UPON DEMAND. ITS CONTENTS ARE CONFIDENTIAL AND MUST NOT BE COPIED OR SUBMITTED TO OUTSIDE PARTIES FOR USE OR EXAMINATION.