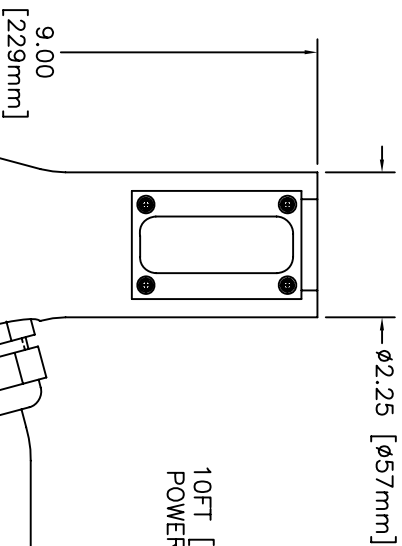
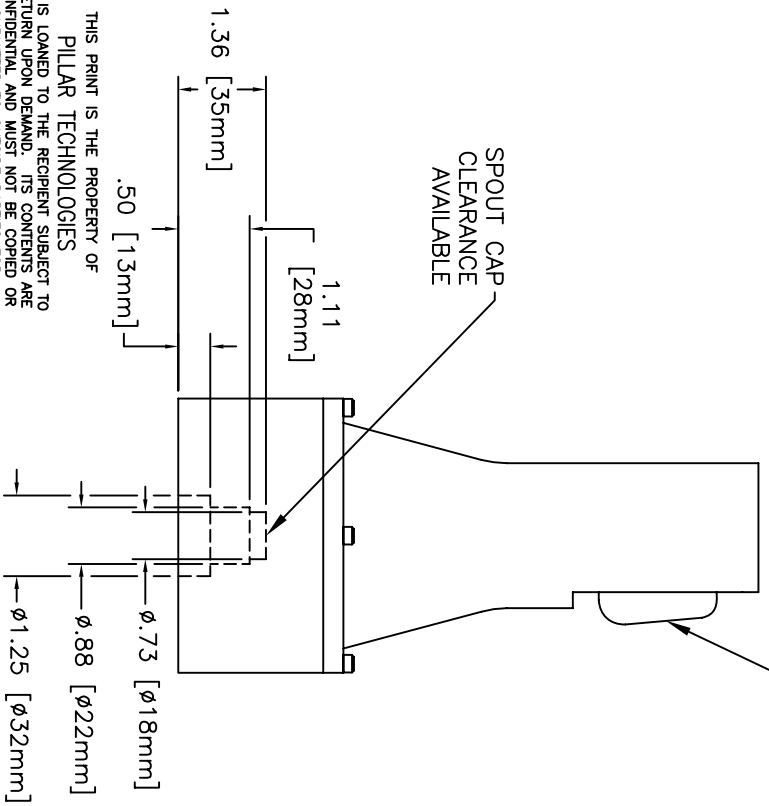
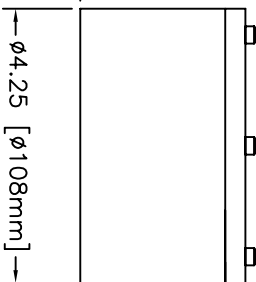
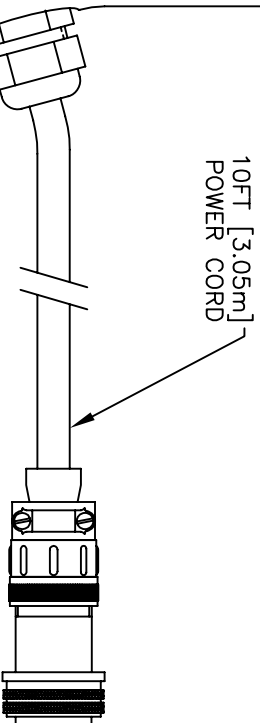


OPERATOR SWITCH

SPOUT CAP CLEARANCE AVAILABLE



10FT [3.05m] POWER CORD



THIS PRINT IS THE PROPERTY OF PILLAR TECHNOLOGIES AND IS LOANED TO THE RECIPIENT SUBJECT TO RETURN UPON DEMAND. ITS CONTENTS ARE CONFIDENTIAL AND MUST NOT BE COPIED OR SUBMITTED TO OUTSIDE PARTIES FOR USE OR EXAMINATION

| | | | |
|---|---|---|---------|
| A | ADDED METRIC DIMENSIONS | EJU | 11-3-05 |
| REV | DESCRIPTION | APP'D | DATE |
| FINISH SPEC | <p>UNLESS OTHERWISE SPECIFIED DIMENSIONS ARE IN INCHES FRACTIONS $\frac{1}{16}$ ANGLES $\pm 1^\circ$</p> <p>MATL SPEC</p> | <p>PILLAR TECHNOLOGIES An ITW Company</p> | |
| | | | |
| <p>REF DWGS</p> <p>FILE NAME 2070-27</p> <p>DATE 10-13-05</p> <p>DRAWN BY RAK</p> | | <p>TITLE</p> <p>OUTLINE DRAWING HAND HELD COIL</p> <p>28mm - 89mm CAPS / 1KW UNFOLLER</p> | |
| SCALE | 1 : 2 | SHEET | 1 OF 1 |
| DWG NO | BG2070-27 | REV | A |