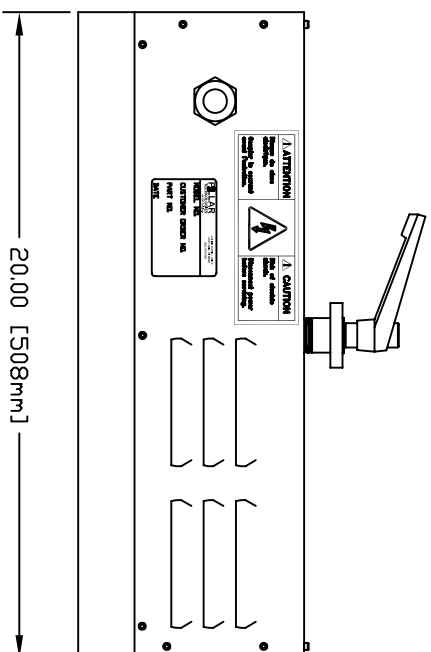
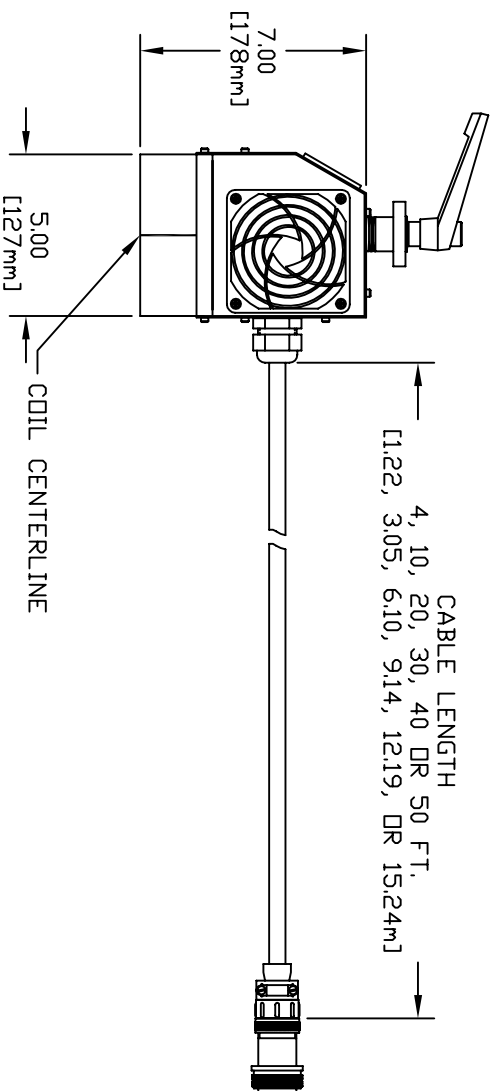


BG2070-12

20010522.1445



THIS PRINT IS THE PROPERTY OF
PILLAR TECHNOLOGIES
 AND IS LOANED TO THE RECIPIENT SUBJECT TO
 RETURN UPON DEMAND. ITS CONTENTS ARE
 CONFIDENTIAL AND MUST NOT BE COPIED OR
 SUBMITTED TO OUTSIDE PARTIES FOR
 USE OR EXAMINATION

B	ADDED METRIC DIMS	EJU	11-3-05
A	ADDED 4FT CABLE LENGTH	RAK	9-3-03
REV	DESCRIPTION	APPD	DATE
	FINISH	DATE	1-18-01
	SPEC	DRG. BY	SDM
	MATL	CHECKER	ENGINEER
	ANGLES ± 5°	UNLESS OTHERWISE SPECIFIED DIMENSIONS ARE IN INCHES TOLERANCE IN	
	FRACTIONS ± 1/32	.00 ± .02 .000 ± .005	
	SCALE 1/4" = 1"	SHEET 1 OF 1	
	DWG NO	REV	
	BG2070-12	B	
	OUTLINE DRAWING	PILLAR TECHNOLOGIES	
	UNIVERSAL COIL	HARTLAND, WISCONSIN 53029	
	1KW UNIFOILER		