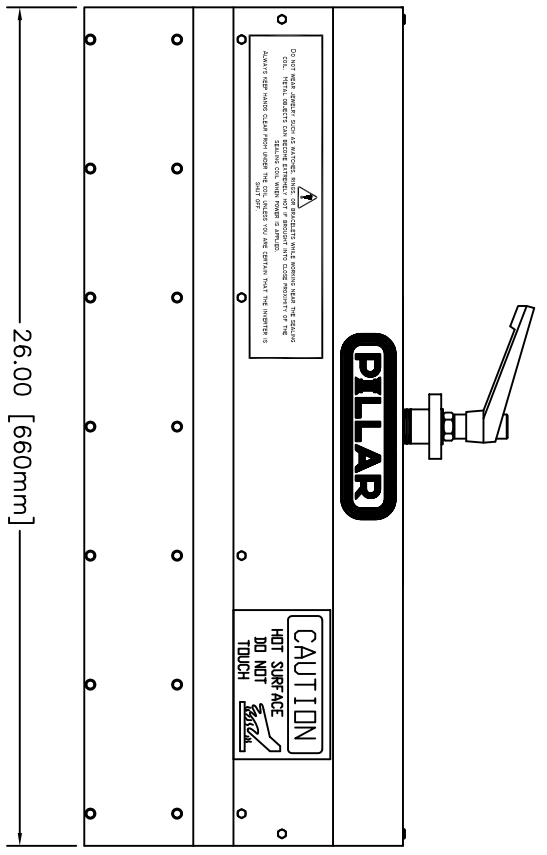
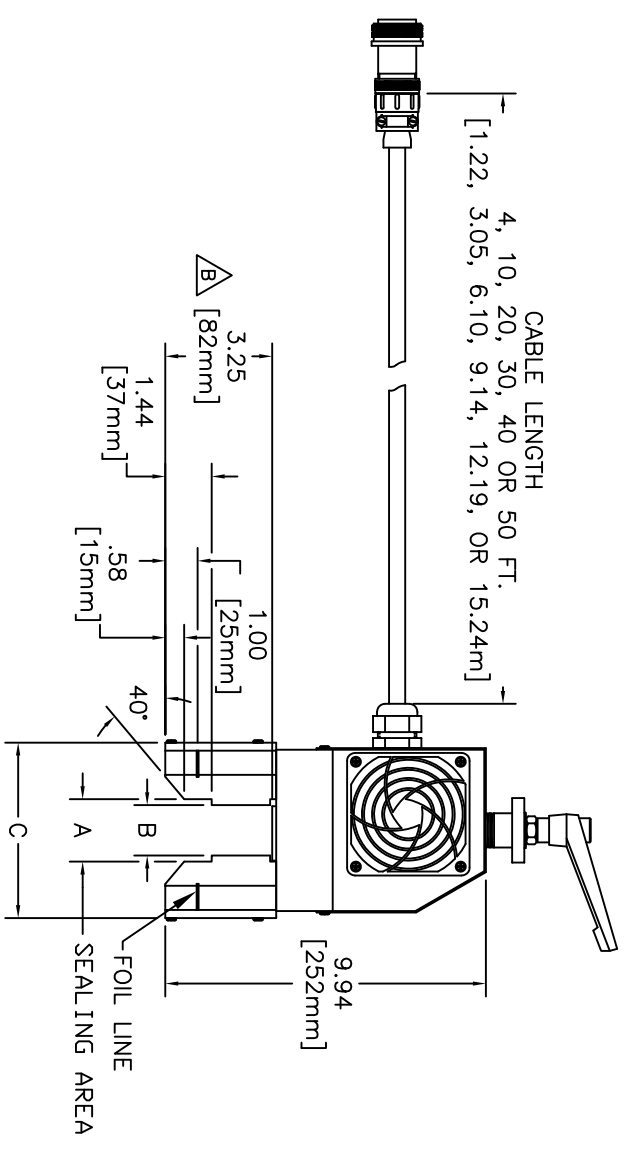


CHANNEL WIDTH DIMENSIONS (IN MILLIMETERS)												
"A"	30	35	40	44	49	54	59	64	68	73	78	83
"B"	21	25	30	35	40	44	49	54	59	64	68	73
"C"	119	124	129	133	138	143	148	152	157	162	167	171

CHANNEL WIDTH DIMENSIONS (IN INCHES)												
"A"	1.19	1.38	1.56	1.75	1.94	2.13	2.31	2.50	2.69	2.88	3.06	3.25
"B"	.81	1.00	1.19	1.38	1.56	1.75	1.94	2.13	2.31	2.50	2.69	2.88
"C"	4.69	4.88	5.06	5.25	5.44	5.63	5.81	6.00	6.19	6.38	6.56	6.75



REF DWGS	2077-6	DATE	10-6-05	DRAWN BY	EJU
FILE NAME	2074-18	TITLE	OUTLINE DRAWING CHANNEL COIL 2KW UNIFOLIER		
REV	B	DWG NO	BC2074-18	SCALE	1" = 4" SHEET 1 OF 1
REV	B	DESCRIPTION	FINISH SPEC	DATE	3-10-08
REV	A	ADDED METRIC DIMENSIONS	MATL SPEC	DATE	11-8-05
REV	B	ADDED 3.25 DIMENSION		DATE	3-10-08

THIS PRINT IS THE PROPERTY OF
PILLAR TECHNOLOGIES
AND IS LOANED TO THE RECIPIENT SUBJECT TO
RETURN UPON DEMAND. ITS CONTENTS ARE
CONFIDENTIAL AND MUST NOT BE COPIED OR
SUBMITTED TO OUTSIDE PARTIES FOR
USE OR EXAMINATION