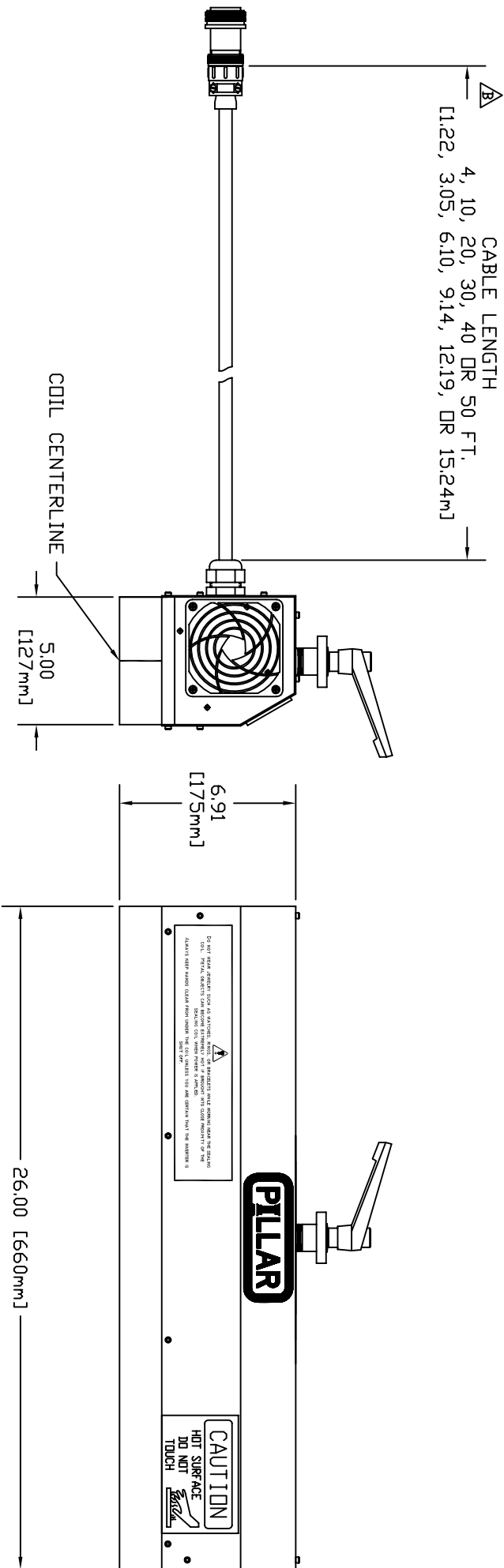


BG2074-4

20010522.1548



▲ B
CABLE LENGTH
4, 10, 20, 30, 40 OR 50 FT.
[1.22, 3.05, 6.10, 9.14, 12.19, 15.24m]

COIL CENTERLINE
5.00
[127mm]

6.91
[175mm]

26.00 [660mm]

Do not make electrical connections to any exposed wires or terminals until power is completely removed. The unit is not to be used for any other purpose than that intended. Always refer to the user manual for safety instructions and the manufacturer's specifications.

CAUTION
HOT SURFACE
DO NOT TOUCH

DATE	9-17-99	CHECKER	ENGINEER
DRG. BY	RAK		
DATE	11-3-05	APPD	
DESCRIPTION	ADDED METRIC DIMS		
DESCRIPTION	ADDED 4FT CABLE LENGTH		
DESCRIPTION	UPDATE		
DESCRIPTION			
UNLESS OTHERWISE SPECIFIED DIMENSIONS ARE IN INCHES TOLERANCE ON FRACTIONS ± 1/32 .00 ± .02 .000 ± .005 ANGLES ± 5°			
MATL			
FINISH			
SCALE 1/4" = 1"			
SHEET 1			
OF 1			
PILLAR TECHNOLOGIES HARTLAND, WISCONSIN 53029 OUTLINE DRAWING UNIVERSAL COIL 2KW UNIFOILER			
REV	C		

THIS PRINT IS THE PROPERTY OF
PILLAR TECHNOLOGIES
AND IS LOANED TO THE RECIPIENT SUBJECT TO
RETURN UPON DEMAND. ITS CONTENTS ARE
CONFIDENTIAL AND MUST NOT BE COPIED OR
SUBMITTED TO OUTSIDE PARTIES FOR
USE OR EXAMINATION