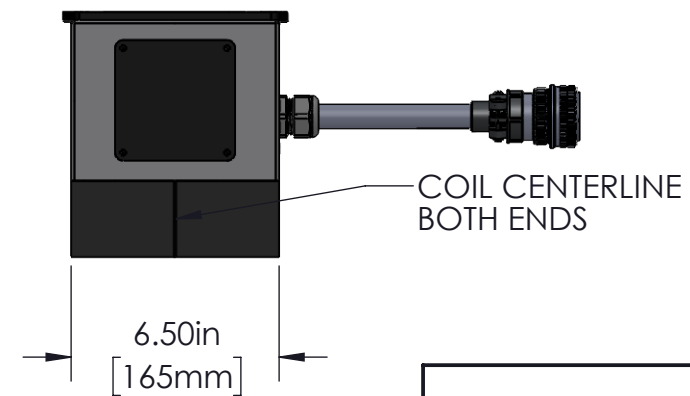
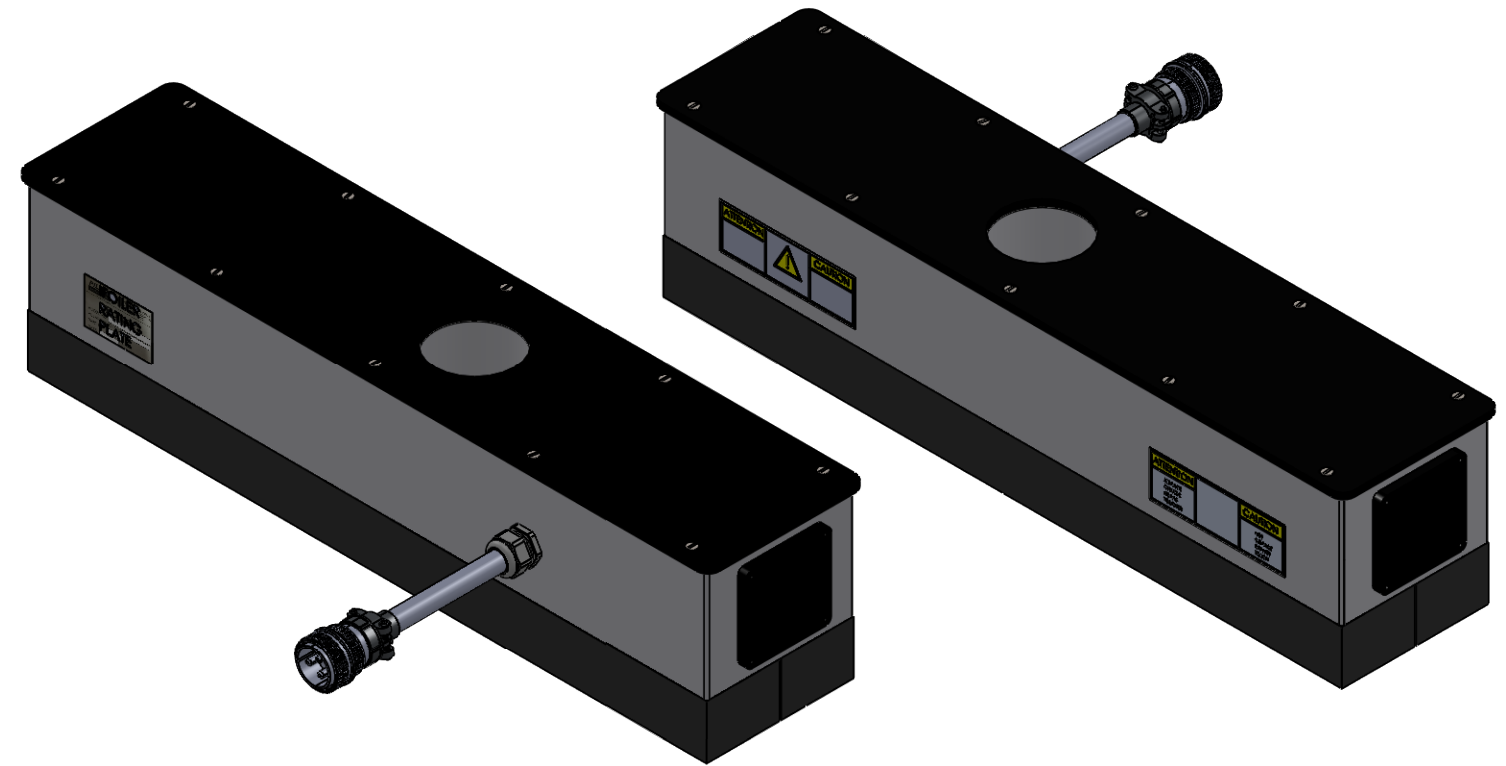


CONNECTION CABLE



NOTE:

1. THE UNIVERSAL COIL IS A SPECIAL SEALING COIL AVAILABLE EXCLUSIVELY FROM PILLAR. THE UNIVERSAL COIL PERMITS SEALING OF A WIDE RANGE OF CAP SIZES WITHOUT CHANGING COIL SIZES. IT WORKS BY ANGLING THE COIL WITH RESPECT TO THE CONVEYOR PATH. WHATEVER THE CAP SIZE, THE ENTIRE CAP WILL PASS THROUGH THE ELECTROMAGNETIC FIELD.

THIS PRINT IS THE PROPERTY OF
PILLAR TECHNOLOGIES
AND IS LOANED TO THE RECIPIENT SUBJECT TO
RETURN UPON DEMAND. ITS CONTENTS ARE
CONFIDENTIAL AND MUST NOT BE COPIED OR
SUBMITTED TO OUTSIDE PARTIES FOR
USE OR EXAMINATION

PILLAR
Technologies
An ITW Company

475 INDUSTRIAL DRIVE HARTLAND, WI 53029 (262) 912-7200

UNLESS OTHERWISE SPECIFIED
DIMENSIONS ARE IN INCHES
FRACTIONS $\pm \frac{1}{32}$ ANGLES $\pm 1^\circ$
.00 \pm .02 .000 \pm .005 .0000 \pm .0005

MATL
SPEC
FINISH
SPEC

REV	DESCRIPTION	ENG	DATE
REVISIONS			
REF DWGS -			
FIRST USED ON			
DATE	10/17/22	DRAWN BY	EJU
TITLE			
UNIVERSAL COIL IFOILER PLUS			
DWG NO		REV	
G2126-11			
SCALE		SHEET 1 OF 1	
1:6			